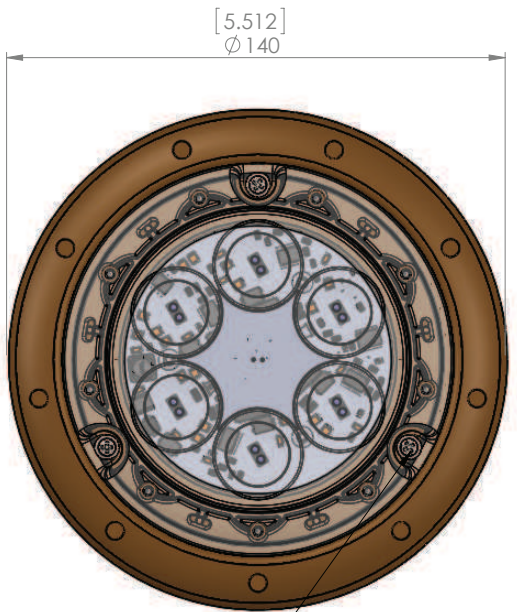


A B C D E F G H I J K

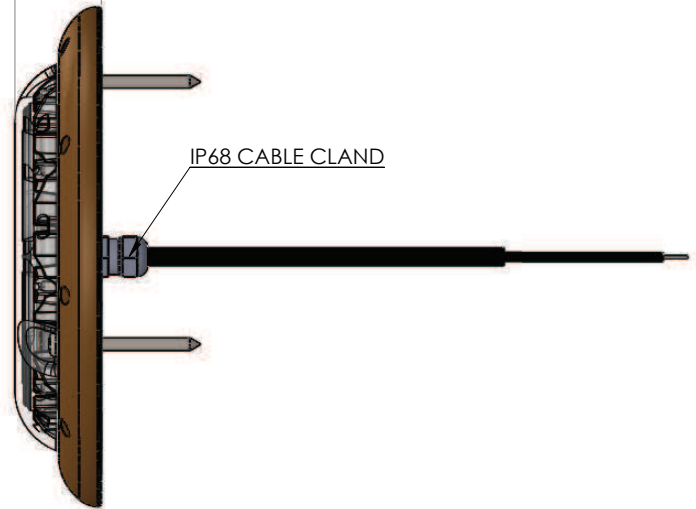
1
2
3
4
5
6
7



[5.512]
Ø 140

[0.953]
24.20

LENS: 3mm HIGH IMPACT POLYMER WITH ANTI STICK COATING
60° BEAM,ANGLE

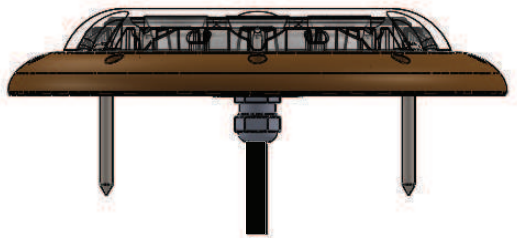


IP68 CABLE GLAND

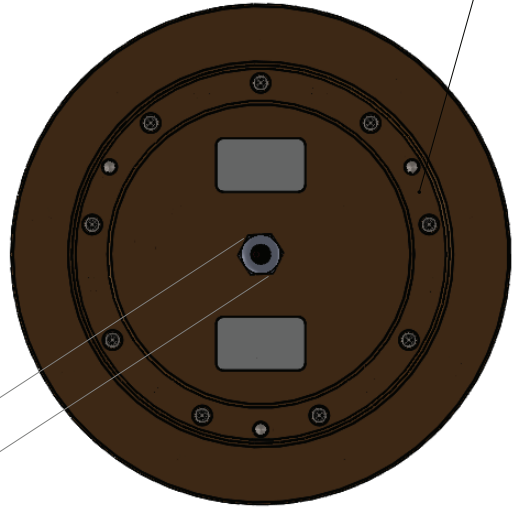


MOUNTING HOLES 98mm PCD
MOUNTING SCREWS No. 6x25mm

SEALANT TRACK



[0.500]
Ø13 MINIMUM
HOLE DIAMETER



LUMENS	5400
MAX WATTAGE	55
NO. OF LEDs	12
I @ 12V	4.6
I @ 24V	2.35
BEAM ANGLE	60 Deg FWHM
LIGHT DIA	140mm (5.5")
LIGHT HEAD HEIGHT	25mm (1")
LIGHT OVERALL LENGTH	25mm (1")
MOUNT HOLE PCD	98mm (3.86")
HULL CUTOUT DIA	13mm (0.5")
LIGHT APERTURE	70mm (2.76")
WEIGHT	1.3kg
LENS	3mm HIGH IMPACT POLYMER WITH ANTI STICK COATING

THIRD ANGLE PROJECTION Sheet. 2 of 3 Scale. 1:1.5 A3



ALL DIMENSIONS ARE IN MILLIMETERS
TOLERANCES ON CASTINGS, UNMACHINED PARTS AND FABRICATIONS, +/- 0.8
TOLERANCES ON MACHINED DIMENSIONS
WHOLE UNITS +/- 0.25
ONE DEC. PLACE +/- 0.1
TWO DEC. PLACE +/- 0.05
ANGLES +/- 0.5 DEG.
ALL UNSPECIFIED CHAMFERS 1 x 45
BREAK ALL SHARP EDGES 0.1 TO 0.5

Iss	Rev	Status	Date	Change	Drawn	Chk'd	Appv'd
-	-	See Sheet 1	-	-	-	-	-

Notes.
PPN.

Description.	
Material.	
Finish.	
DWG No.	ISS
GAA-0117 Iss 04A	04 A
Rev.	Status.

© 2014 COASTLINE LED THIS DOCUMENT MUST NOT BE REPRODUCED IN WHOLE OR IN PART AND MUST NOT BE USED OR DISCLOSED WITHOUT THE WRITTEN AUTHORISATION OF COASTLINE LED. NO DEVIATION FROM THIS DRAWING IS PERMISSIBLE WITHOUT WRITTEN AUTHORISATION FROM COASTLINE LED.