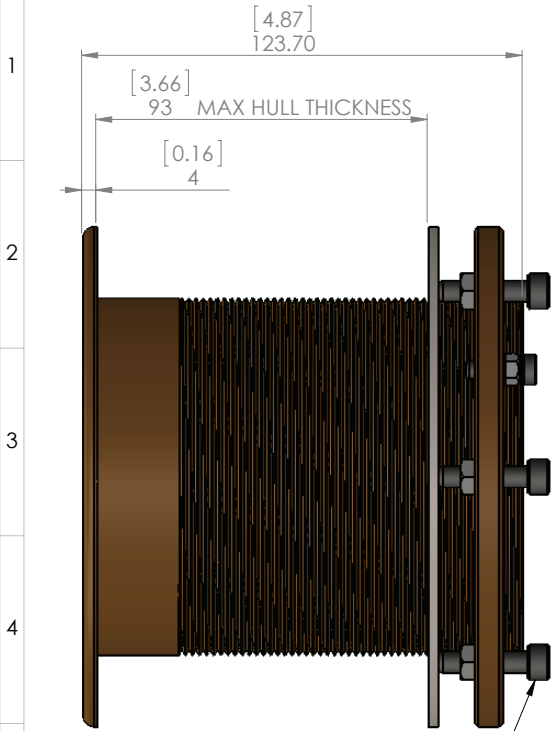


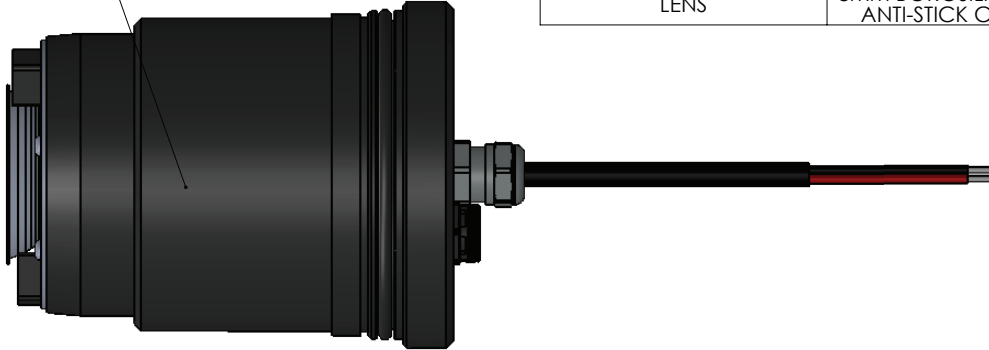
A B C D E F G H I J K

SPECIFICATIONS

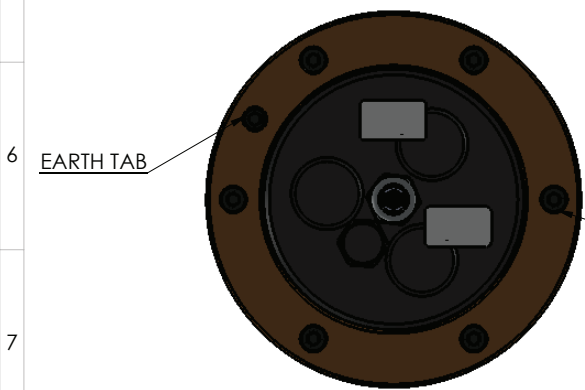
| | GREAT WHITE GW16 | GREAT WHITE GW20 |
|----------------------|--|--|
| LUMENS | 6500 | 12000 |
| WATTAGE | 90 | 122 |
| NO. LEDs | 16 | 20 |
| I @ 12V | 7.5 | N/A |
| I @ 24V | 3.8 | 5.1 |
| BEAM ANGLE | 65 DEG FWHM | 65 DEG FWHM |
| LIGHT DIA | 140mm, 5.5" | 140mm, 5.5" |
| LIGHT HEAD HEIGHT | 4mm, 0.16" | 4mm, 0.16" |
| LIGHT OVERALL LENGTH | 170mm, 6.69" | 170mm, 6.69" |
| MOUNTING HOLES PCD | N/A | N/A |
| HULL CUTOUT DIA | 101mm, 4" | 101mm, 4" |
| LIGHT APERTURE | 70mm, 2.76" | 70mm, 2.6" |
| WEIGHT | 5.2KG | 5.2KG |
| LENS | 8mm BOROSILICATE WITH ANTI-STICK COATING | 8mm BOROSILICATE WITH ANTI-STICK COATING |



INTERCHANGEABLE LIGHT ENGINE

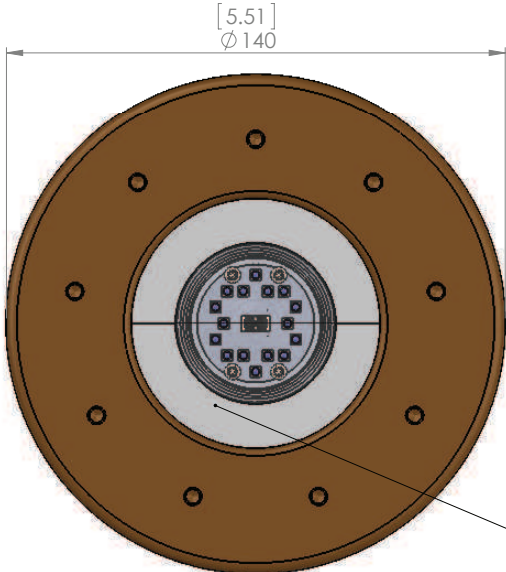


TIGHTEN M6 CLAMPING BOLTS SEQUENTIALLY AFTER CLAMPING TIGHTEN LOCKING NUTS

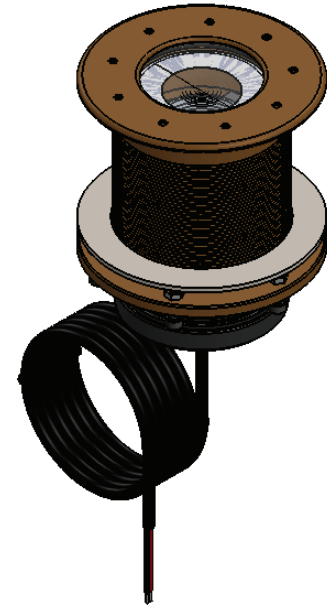


EARTH TAB

TIGHTEN MOUNTING BOLTS SEQUENTIALLY



LENS: 8mm BOROSILICATE WITH ANTI STICK COATING



ALL DIMENSIONS ARE IN MILLIMETERS
 TOLERANCES ON CASTINGS, UNMACHINED PARTS AND FABRICATIONS, +/- 0.8
 TOLERANCES ON MACHINED DIMENSIONS
 WHOLE UNITS +/- 0.25
 ONE DEC. PLACE +/- 0.1
 TWO DEC. PLACE +/- 0.05
 ANGLES +/- 0.5 DEG.
 ALL UNSPECIFIED CHAMFERS 1 x 45
 BREAK ALL SHARP EDGES 0.1 TO 0.5

| Iss | Rev | Status | Date | Change | Drawn | Chk'd | App'v'd |
|-----|-----|--------|------------|--------|-------|-------|---------|
| H00 | A | REL | 30/09/2015 | | DWL | DWL | DWL |

Notes.

| | | | |
|--------------------------|-------------------------|----------|-----------------|
| Description. | GREAT WHITE GW16 & GW20 | | |
| Material. | | | |
| Finish. | | | |
| DWG No. | Iss. | Rev. | Status. |
| GAA-0105 Iss H00A | H00 | A | RELEASED |

THIRD ANGLE PROJECTION Sheet. 1 of 3 Scale. 1:1.5 A3