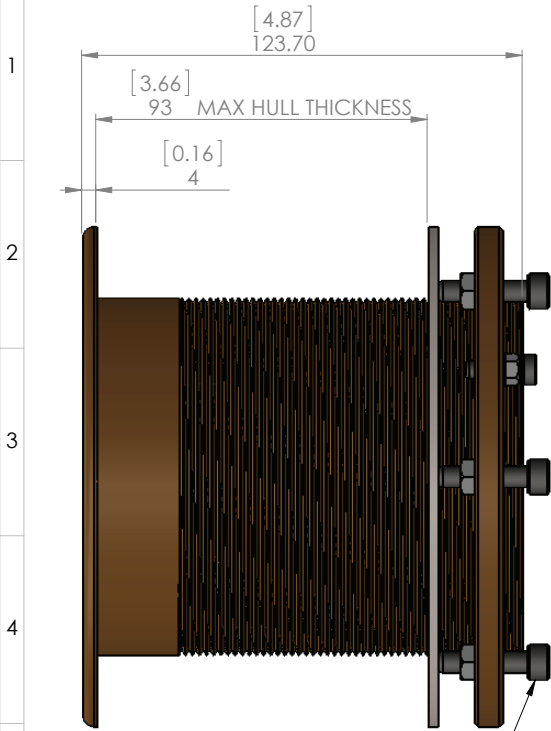
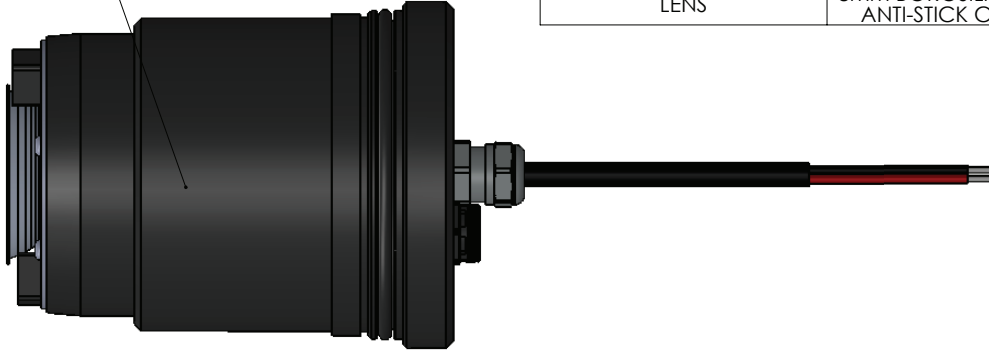


A B C D E F G H I J K

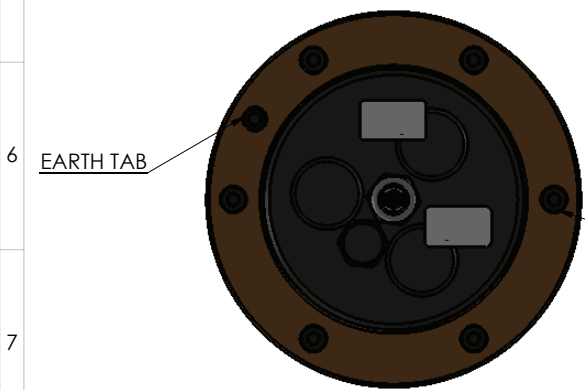


INTERCHANGEABLE LIGHT ENGINE



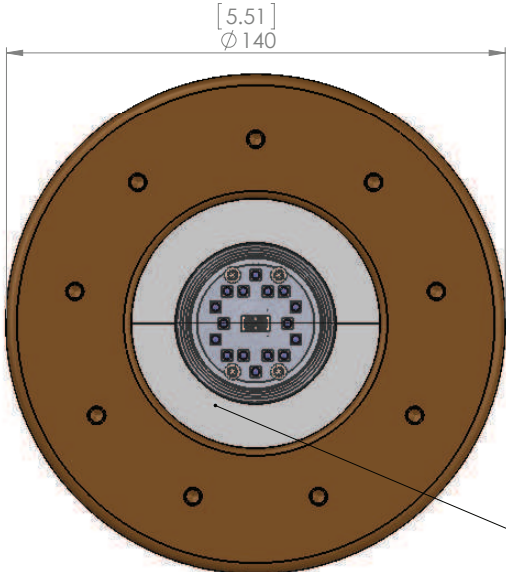
	GREAT WHITE GW16	GREAT WHITE GW20
LUMENS	6500	12000
WATTAGE	90	122
NO. LEDs	16	20
I @ 12V	7.5	N/A
I @ 24V	3.8	5.1
BEAM ANGLE	65 DEG FWHM	65 DEG FWHM
LIGHT DIA	140mm, 5.5"	140mm, 5.5"
LIGHT HEAD HEIGHT	4mm, 0.16"	4mm, 0.16"
LIGHT OVERALL LENGTH	170mm, 6.69"	170mm, 6.69"
MOUNTING HOLES PCD	N/A	N/A
HULL CUTOUT DIA	101mm, 4"	101mm, 4"
LIGHT APERTURE	70mm, 2.76"	70mm, 2.6"
WEIGHT	5.2KG	5.2KG
LENS	8mm BOROSILICATE WITH ANTI-STICK COATING	8mm BOROSILICATE WITH ANTI-STICK COATING

TIGHTEN M6 CLAMPING BOLTS SEQUENTIALLY AFTER CLAMPING TIGHTEN LOCKING NUTS

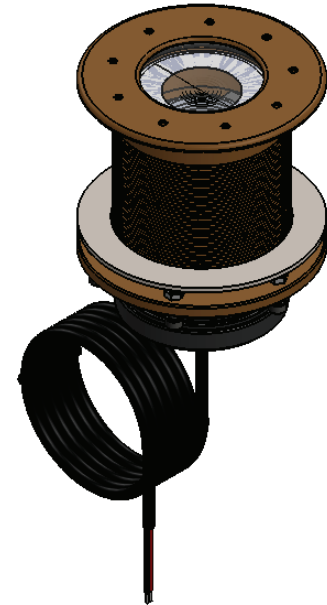


EARTH TAB

TIGHTEN MOUNTING BOLTS SEQUENTIALLY



LENS: 8mm BOROSILICATE WITH ANTI STICK COATING



ALL DIMENSIONS ARE IN MILLIMETERS
 TOLERANCES ON CASTINGS, UNMACHINED PARTS AND FABRICATIONS, +/- 0.8
 TOLERANCES ON MACHINED DIMENSIONS
 WHOLE UNITS +/- 0.25
 ONE DEC. PLACE +/- 0.1
 TWO DEC. PLACE +/- 0.05
 ANGLES +/- 0.5 DEG.
 ALL UNSPECIFIED CHAMFERS 1 x 45
 BREAK ALL SHARP EDGES 0.1 TO 0.5

Iss	Rev	Status	Date	Change	Drawn	Chk'd	App'vd
H00	A	REL	30/09/2015		DWL	DWL	DWL

Notes.

Description.	GREAT WHITE GW16 & GW20		
Material.			
Finish.			
DWG No.	Iss.	Rev.	Status.
GAA-0105 Iss H00A	H00	A	RELEASED

THIRD ANGLE PROJECTION Sheet. 1 of 3 Scale. 1:1.5 A3